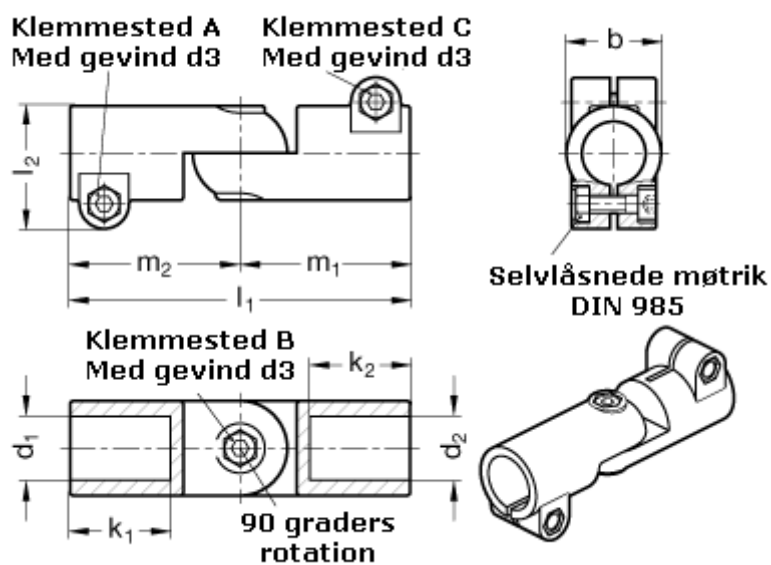


Article number: 20286B40B50S2SW

Description: E+G Swivel clamp connector joint
GN286-B40-B50-S-2-SW

Measures



| | |
|--------------|-------------|
| $b = 65$ | $m_1 = 115$ |
| $d_1 = B40$ | $m_2 = 115$ |
| $d_2 = B50$ | |
| $d_3 = M10$ | |
| $k_1 = 74.0$ | |
| $k_2 = 74.0$ | |
| $l_1 = 230$ | |
| $l_2 = 77.5$ | |